

Sno-Pro™ Tractor Plows



**New,
NO-WELD
Design!**



Skid Steer
Mount Shown

*Note: Sno-Pro™ Tractor Plows are only recommended for tractors and skid steers up to 47hp. .

Introducing the commercial grade Sno-Pro™ Tractor Plow. These durable plows are constructed with heavy-duty 11 gauge powder coated steel. Great for snow removal, light grading and general landscaping. Available for a variety of tractor models, Sno-Pro™ Tractor Plows are built to last and will work hard in all conditions.


Please contact us for more information.

Phone: 800-343-7676

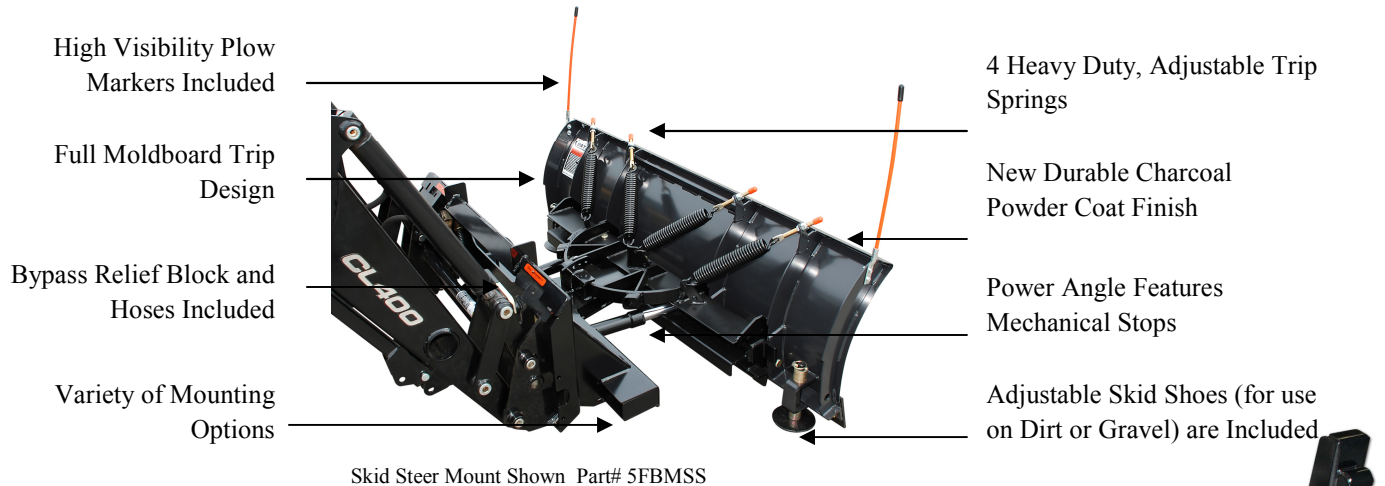
Web: www.SnoProPlows.com



Sno-Pro™ Tractor Plows 5ft - 8ft sizes*

- Full moldboard trip design protects both operator and equipment.
- Center-punched, high-carbon steel cutting edge for long life.
- Feature three mounting options (Skid-Steer, JD Quick Attach and New Bolt-On Pin Mount).
- High visibility plow markers and adjustable cast-iron skid shoes are included.
- Hydraulic cylinders provide 30deg of left/right adjustment and feature mechanical stops.
- Durable charcoal powder coat finish.
- Made In The U.S.A. 

Sno-Pro™ Tractor Plows



Skid Steer Mount Shown Part# 5FBMSS

New Mounting Kit for John Deere 200/300/400 Loaders Part# 5FBMQA



New Bolt-On Pin Mount Part# 5FBMSB



Sno-Pro Tractor Plow SPECIFICATIONS

Dimensions

Weight	Varies with moldboard sizes
Overall Width	5ft, 6ft, 6.5ft, 7ft, 7.5ft and 8ft
Overall Height	28 inches (7.5 and 8ft models)
Sector	54 inches

Operational

Attack Angle	18 degrees (cutting edge)
Angle Cylinders	1.5" x 10"

Construction

Blade Skin Thickness	11 gauge Steel
Trip Style	Full Moldboard Trip
Trip Springs	4, Adjustable Tension
Trip Frame	54 inches
Cutting Edge	3/8" x 6" High Carbon Reversible
Vertical Support Ribs	6-8 (depending on width)
Mounting Kit	Skid Steer, John Deere, Pin Mount
Paint Finish	Charcoal Powder Coat
Installation Time	Varies w/Tractor (all hoses included)

Standard Equipment

Bypass Relief Valve	Mounts to A-Frame
Hoses	Universal Hose Kit Included
Blade Markers	Bolt-on, High Visibility
Skid Shoes	2, Cast Iron and Adjustable
Warranty	1 year Construction

Optional Equipment

Snow Deflector	Rubber (Black) or Steel (Orange)
Cutting Edge	Rubber or Polymer

Description

Part No.

5' Moldboard Kit	1TBP21D
6' Moldboard Kit	1TBP21E
6.5' Moldboard Kit	1TBP21F
7' Moldboard Kit	1TBP21G
7.5' Moldboard Kit	1TBP21AF
8' Moldboard Kit	1TBP21BF

Phone: 800-343-7676

Web: www.SnoProPlows.com

