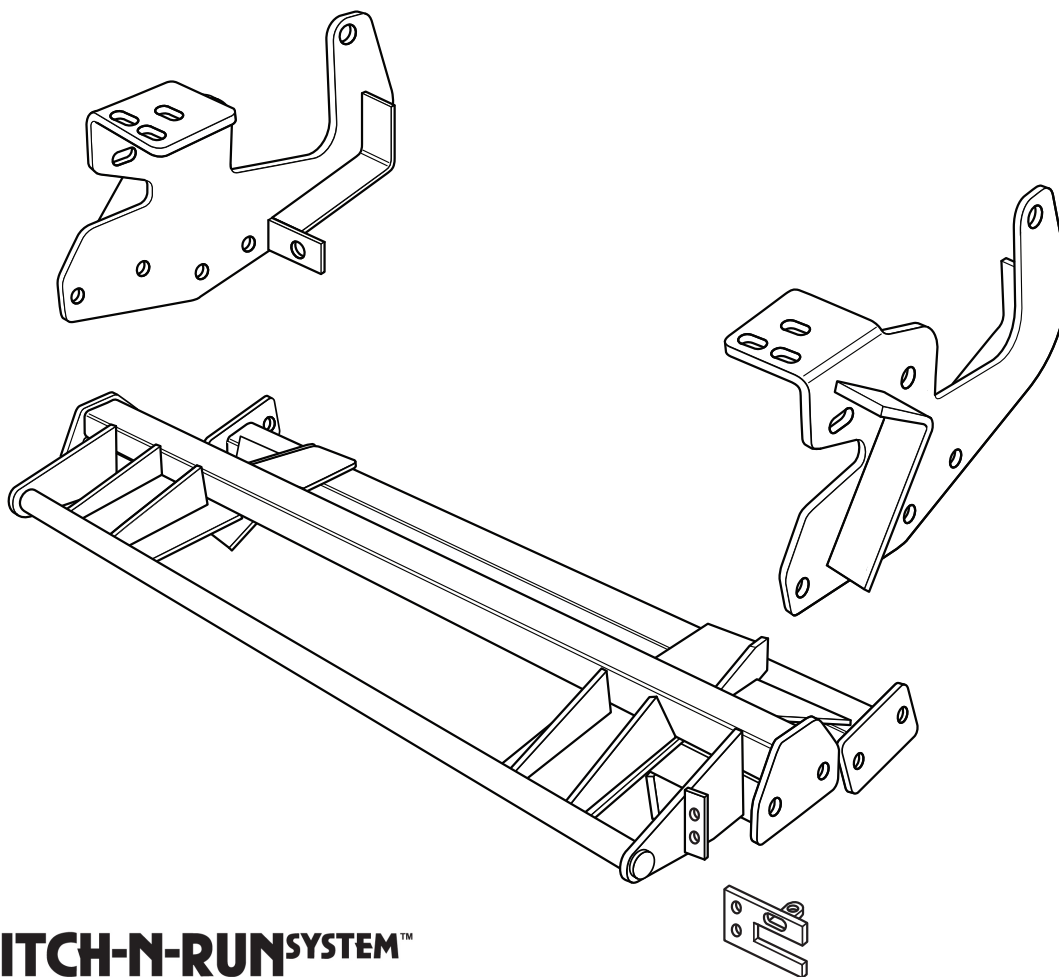




SNO-PRO[®] 3000

**2008 - Ford Super Duty F-450, F-550
9' - 10' (With Snow Plow Prep. ONLY)**

Vehicle Mounting Kit: 1HD7



Curtis Industries Inc. LLC, 111 Higgins St., Worcester, MA 01606 TEL: (800) 343-7676 FAX: (508) 854-3377 For Parts and information visit us at www.Curtisindustries.net
Curtis Industries Inc. LLC, reserves the right to change product design or specifications without notice or liability.
Curtis Snow Plows are protected by the following U.S. Patent Numbers: 6,145,222 and 6,209,231 Licensed under U.S. Patent Number 5,568,694 & Canadian Patent Number 2,137,853.
Other patents pending.

1HD7 Vehicle Mount Kit Parts List

Item #	Description	Qty.
1	Mounting Frame	1
2	Driver's Side Push Arm	1
3	Passenger's Side Push Arm	1
4	5/8"-18 x 1-1/2" Hex Bolt, Gr. 8, Plated	2
Hardware Bag Components Included In This Kit		
5	5/8"-18 x 2" Hex Bolt, Gr. 8, Plated	8
6	1/2"-20 x 1-1/2" Hex Bolt, Gr. 8, Plated	2
7	1/2" Lock Washer, High Strength, Plated	2
8	1/2"-20 Hex Nut, Plated	2
9	1/2" Flat Washer	2
10	5/8"-11 x 3" Carriage Bolt, Gr. 5, Plated	2
11	5/8" Lock Washer, High Strength, Plated	14
12	5/8"-11 Hex Jam Nut, Plated	4
13	5/8"-18 Hex Nut, Plated	10
14	7/8"-14 x 2" Hex Bolt, Gr.8, Plated	2
15	7/8" Lock Washer, High Strength, Plated	2
16	7/8"-14 Hex Nut, Plated	2
Hardware Components Included In Plow Light Harness Kit		
1a	Dual Plug Harness Bracket	1
-	10-32 x 3/4" Hex Head Screw, Plated	2
-	10-32 Nylock Lock Nut, Plated	2
-	8-32 x 1" Hex Head Screw, Plated	1
-	8-32 Nylock Lock Nut, Plated	1
-	#8 Nylon Flat Washer, 3/4" O.D.	1
-	#8 Flat Washer, SAE, Plated	1

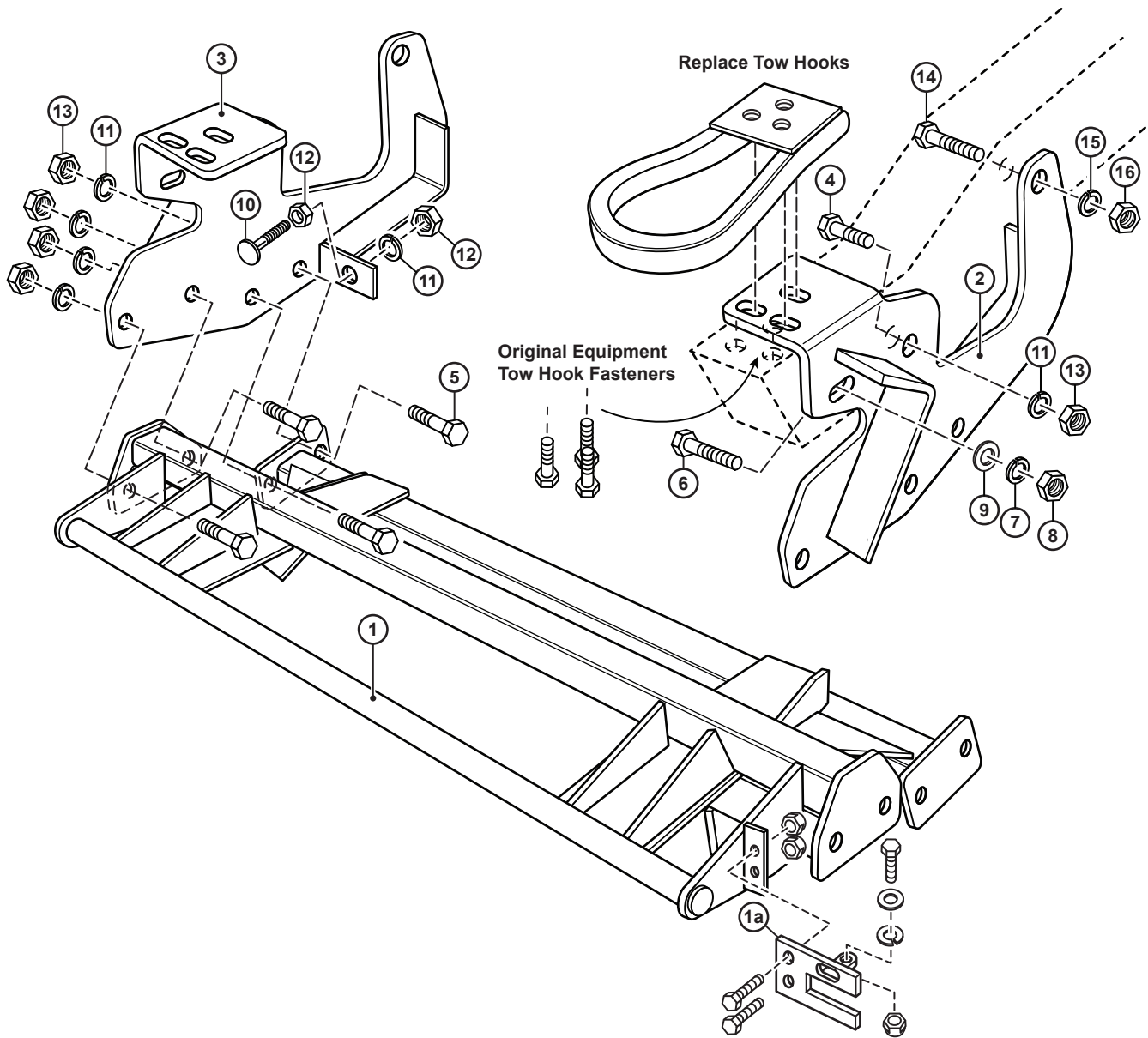


WARNING

It is highly recommended that front "helper springs", "airshocks", or other similar devices be installed onto this vehicle to prevent the front suspension from "bottoming out" while carrying a snow plow.

Vehicle must be properly "ballasted" by placing ballast weight behind the centerline of Rear Axle so that no more than 62% of the total weight of the Vehicle, Snow Plow, Driver, Ballast weight, (and any cargo) is placed on the Front Axle while at the same time not exceeding the Gross Vehicle Weight Rating and Front or Rear Gross Axle Weight Ratings.

1HD7 Mounting



Curtis Industries, LLC. reserves the right to change product design or specifications without notice or liability. Curtis Snow Plows and Truck equipment should only be used on vehicles equipped with the manufacturer's Snow Plow preparation package. Snow Plowing without the original snow plow preparation package may damage your vehicle and the added weight of the equipment may impair the operation and control of the vehicle.

1HD7: 2008 - Ford Super Duty F-450, F-550

Mounting Kit Installation Instructions

1. VEHICLE PREPARATION

- (1a.) Temporarily remove the hood latch operating lever bracket (behind the radiator grill), the vehicle front bumper, and tow hooks. Save all fasteners for reuse.
- (1b.) Screw a 5/8"-11 hex jam nut (12) all the way onto each of the 5/8"-11 x 3" carriage bolts (10). Place each carriage bolt / jam nut assembly through the ears on the driver's side and passenger's side push arms (2) & (3) with the heads of the carriage bolts toward the front of the vehicle. Fasten loosely using a 5/8" lockwasher (11) and 5/8"-11 hex jam nut (12) on each carriage bolt / jam nut assembly.
- (1c.) Either remove completely, or cut out an approximately 34" section from the center of the plastic air dam under the vehicle front bumper.



NOTE

All fasteners should remain loose or "finger tight" until all components have been attached to Vehicle or installation instructions specify tightening.

IMPORTANT

We strongly recommend using removable thread locking adhesive on all mounting fasteners in vehicles for heavy duty, commercial use.



NOTE

If the plow mounting frame (1) is ever removed from the vehicle, all the original equipment fasteners must be reinstalled before the vehicle is put back into service.

2. DRIVER'S SIDE PUSH ARM

- (2a.) Place the driver's side push arm (2) onto the outer surface of the driver's side frame rail with the horizontal bolting plate lined up with the tow hook bolt holes in the top surface and the front slotted hole lined up with the hole in the outer surface of the frame rail. Swing the rear of the push arm up until the rear hole lines up with the hole in the frame rail. Insert a 7/8"-14 x 2" bolt (14) from inside the frame rail through the hole in the rail and through the rear hole in the push arm. Fasten using a 7/8" lock washer (15) and 7/8"-14 hex nut (16).
- (2b.) Insert a 5/8"-18 x 1-1/2" hex bolt (4) from inside the frame rail through the hole in the rail and through the middle hole in the in the push arm. Fasten using a 5/8" lock washer (11) and 5/8"-18 hex nut (13).
- (2c.) Attach the push arm at the front slotted hole using a 1/2"-20 x 1-1/2" bolt (6), 1/2" flat washer (9), 1/2" lock washer (7), and 1/2"-20 hex nut (8). Place the driver's side tow hook on top of the push arm horizontal bolting plate with the holes lined up with the holes in the bolting plate and frame rail. Fasten using the original equipment tow hook fasteners.

3. PASSENGER'S SIDE PUSH ARM

Install the passenger's side push arm (3) in the same sequence and with the same amount and type of fasteners as the driver's side push arm (2).

4. MOUNTING FRAME

- (4a.) Lift the mounting frame (1) up under the front of the vehicle with the end plates of the cross tubes between the push arms (2) & (3). Line up the holes in the end plates of the cross tubes with the holes in the push arms and attach using 5/8"-18 x 2" bolts (5), 5/8" lock washers (11), and 5/8"-18 hex nuts (13).
- (4b.) Fully tighten all original equipment and added mounting fasteners.

5. FINAL ADJUSTMENT AND INSPECTION

- (5a.) Reinstall the vehicle front bumper and hood release operating lever bracket using the original equipment fasteners.
- (5b.) Align the bumper and tighten.
- (5c.) Inspect the mounting attachment bolts to be certain that they are all in place and that they are all tight.

6. OPTIONAL PLUG MOUNT BRACKET INSTALL



NOTE

Install the Plug Mount Bracket if the harness will be mounted on the frame kit, otherwise, the harness may be routed through the grill, bumper, etc.

Using (2) 10-32 x 3/4" hex bolts and nylon locknuts, fasten the Plug Mount Bracket to the Plug Mount Bracket Mounting Tab located on the drivers side of the frame kit receiver. The included 8-32 hardware is used for mounting the hi-amp battery leads to the Plug Mount Bracket, if used.

