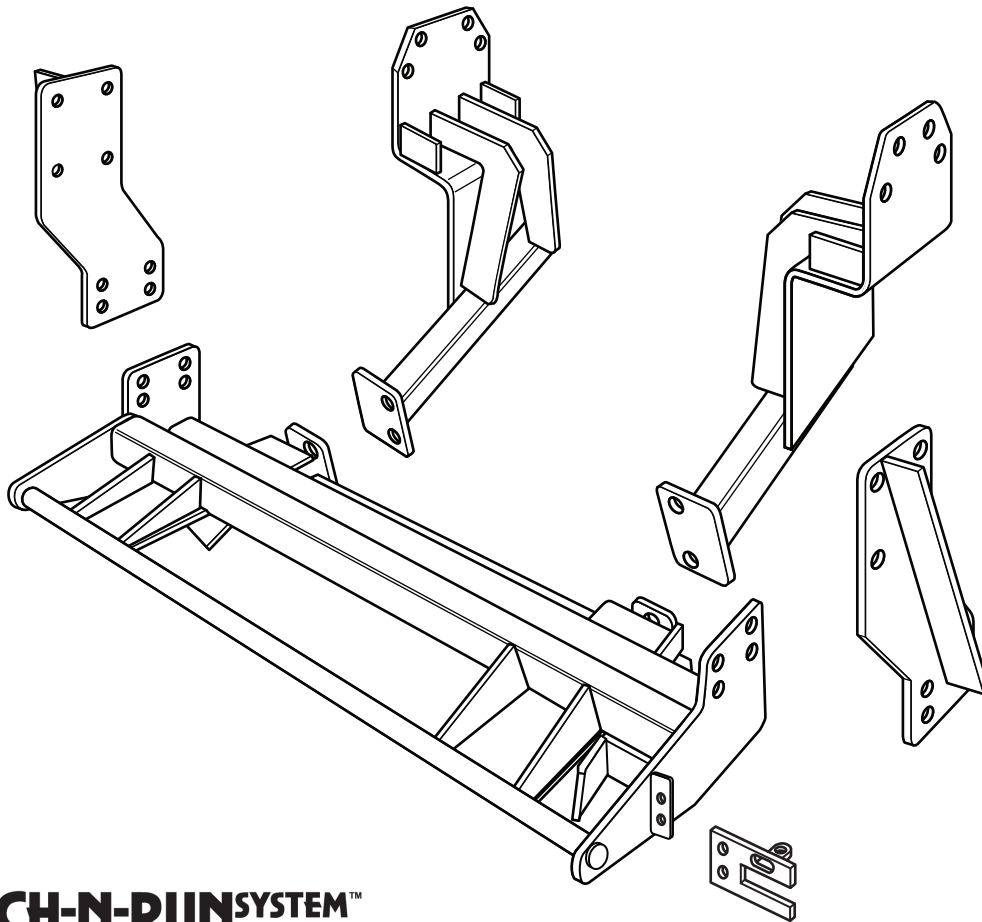




SNO-PRO[®] 3000

**2003 - International 4000 Series, Ford F-650, F-750
Standard Height Trucks, 4x2 (No Low Profile)**

Vehicle Mounting Kit: 1HD4



Curtis Industries Inc. LLC, 111 Higgins St., Worcester, MA 01606 TEL: (800) 343-7676 FAX: (508) 854-3377 For Parts and information visit us at www.Curtisindustries.net
Curtis Industries Inc. LLC, reserves the right to change product design or specifications without notice or liability.
Curtis Snow Plows are protected by the following U.S. Patent Numbers: 6,145,222 and 6,209,231 Licensed under U.S. Patent Number 5,568,694 & Canadian Patent Number 2,137,853.
Other patents pending.

1HD4 Vehicle Mount Kit Parts List

Item #	Description	Qty.
1	Mounting Frame	1
2	Driver's Side Push Arm	1
3	Passenger's Side Push Arm	1
4	Driver's Side Front Hanger	1
5	Passenger's Side Front Hanger	1
Hardware Bag Components Included In This Kit		
6	M12 x 1.75 x 45 Hex Bolt, Gr. 10.9, Plated	4
7	M12 x 1.75 x 50 Hex Bolt, Gr. 10.9, Plated	8
8	M12 x 1.75 x 90 Hex Bolt, Gr. 10.9, Plated	4
9	M12 Lock Washer, High Strength, Plated	16
10	1/2"-20 x 1-3/4" Hex Bolt, Gr. 8, Plated	8
11	1/2" Lock Washer, High Strength, Plated	8
12	1/2"-20 Hex Nut, Gr. 8, Plated	8
13	5/8"-18 x 2" Hex Bolt, Gr. 8, Plated	4
14	5/8" Lock Washer, High Strength, Plated	4
15	5/8"-18 Hex Nut, Gr. 8, Plated	4
Hardware Components Included In Plow Light Harness Kit		
1a	Dual Plug Harness Bracket	1
-	10-32 x 3/4" Hex Head Screw, Plated	2
-	10-32 Nylock Lock Nut, Plated	2
-	8-32 x 1" Hex Head Screw, Plated	1
-	8-32 Nylock Lock Nut, Plated	1
-	#8 Nylon Flat Washer, 3/4" O.D.	1
-	#8 Flat Washer, SAE, Plated	1

IMPORTANT: *Before you Start...*

International trucks with the optional extended front bumper brackets will require that the bumper be relocated to the standard location using International P.N. 3578505C1 & P.N. 3578506C1 standard bumper brackets. It is highly recommended that all original equipment and additional added fasteners be installed using thread locking adhesive.

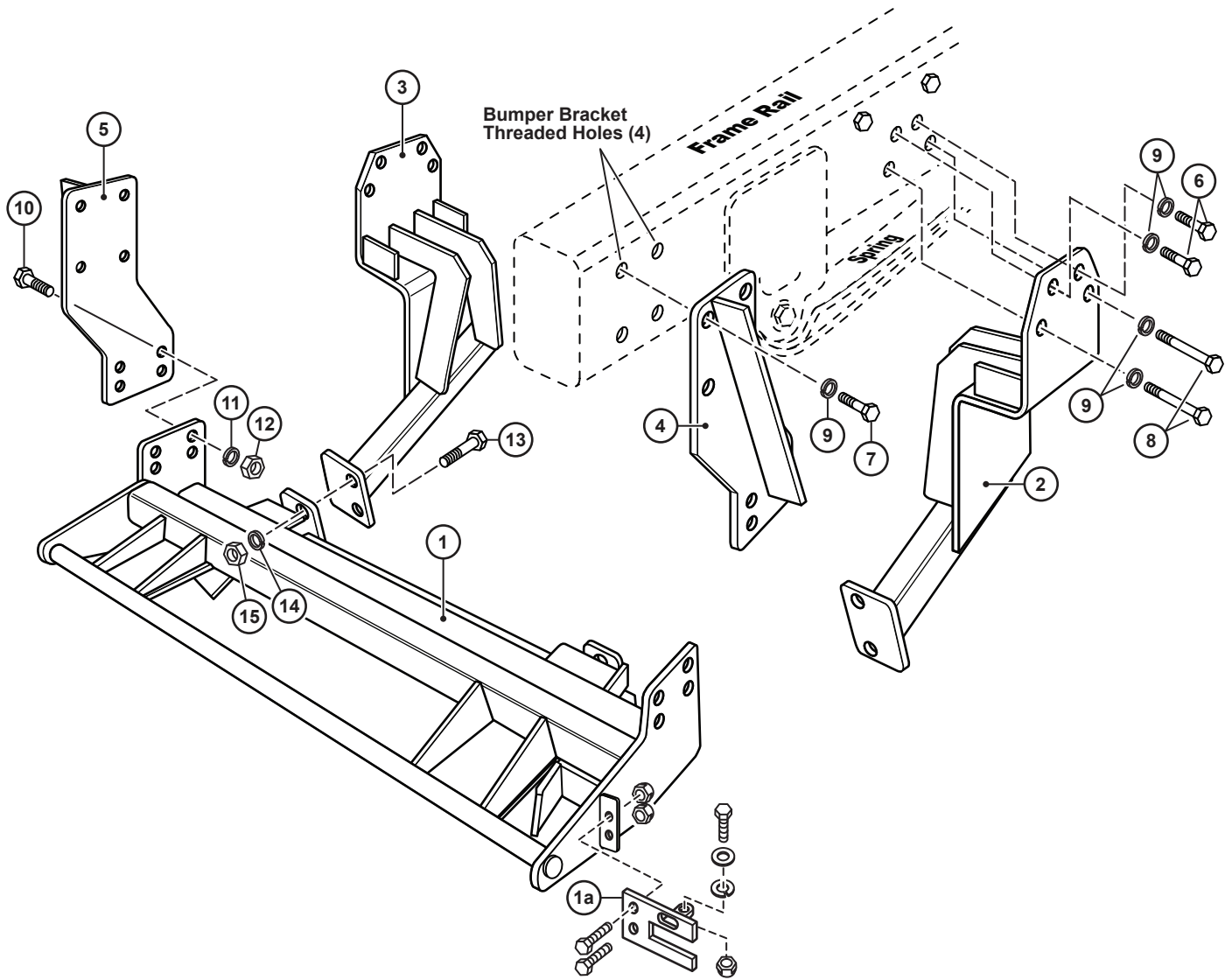


WARNING

It is highly recommended that front "helper springs", "airshocks", or other similar devices be installed onto this vehicle to prevent the front suspension from "bottoming out" while carrying a snow plow.

Vehicle must be properly "ballasted" by placing ballast weight behind the centerline of Rear Axle so that no more than 62% of the total weight of the Vehicle, Snow Plow, Driver, Ballast weight, (and any cargo) is placed on the Front Axle while at the same time not exceeding the Gross Vehicle Weight Rating and Front or Rear Gross Axle Weight Ratings.

1HD4 Mounting



Curtis Industries, LLC. reserves the right to change product design or specifications without notice or liability. Curtis Snow Plows and Truck equipment should only be used on vehicles equipped with the manufacturer's Snow Plow preparation package. Snow Plowing without the original snow plow preparation package may damage your vehicle and the added weight of the equipment may impair the operation and control of the vehicle.

1HD4: 2003 - International 4000 Series, Ford F-650, F-750 4x2

Mounting Kit Installation Instructions

1. VEHICLE PREPARATION

- (1a.) Temporarily remove the vehicle front bumper and tow hooks. Save all bumper fasteners for reuse. The tow hooks will not be reinstalled with the vehicle mounting frame in place. The tow hook bolts will not be reused and will be replaced when the front hangers are installed.
- (1b.) Remove the four lower 12mm bolts holding the front engine mounting cross member to each frame rail (four long bolts and four short bolts total). These bolts will not be reused and will be replaced with longer ones when the push arms are installed.



NOTE

All fasteners should remain loose or "finger tight" until all components have been attached to vehicle or installation instructions specify tightening.

IMPORTANT

We strongly recommend using removable thread locking adhesive on all mounting fasteners in vehicles for heavy duty, commercial use.



NOTE

If the plow mounting frame (1) is ever removed from the vehicle, all the original equipment fasteners must be reinstalled before the vehicle is put back into service.

- (1c.) Jack vehicle up from under the frame rails until front wheels clear the ground. Place jack stands under the frame rails to the rear of the front wheels to prevent unintended lowering of the vehicle.

2. FRONT HANGERS

Line up the four widely spaced holes in each front hanger (4) & (5) with the tow hook holes in the bumper brackets and threaded holes in each frame rail. Attach each using four 12mm x 1.75mm x 50mm bolts (7) and 12mm lock washers (9) through the front hangers, through the holes in the bumper brackets, and threaded into the holes in the frame rails (eight bolts total).

3. MOUNTING FRAME

Lift the Mounting frame (1) up under the front of the vehicle with the end plates of the front cross tubes between the front hangers (4) & (5). Line up the holes in the end plates of the cross tubes with the holes in the front hangers and attach using 1/2"-20 x 1-3/4" bolts (10), 1/2" lock washers (11), and 1/2"-20 nuts (12) (eight bolts total).

4. DRIVER'S SIDE PUSH ARM

- (4a.) From between the frame rails, place the upper end of the driver's side push arm (2) between the upper surface of the spring and the lower flange of the frame rail with the four holes in the upper plate lined up with the threaded holes in the frame rail and engine mounting cross member that the four 12mm bolts were removed from in the preliminary step. Attach using two 12mm x 1.75mm x 45mm bolts (6) and 12mm lock washers (9) in the upper holes and two 12mm x 1.75mm x 90mm bolts (8) and 12mm lock washers (9) in the lower holes (four bolts total).
- (4b.) Line up the two holes in the bolting plate of the lower part of the push arm with the corresponding holes in the bolting plate on the rear cross tube of the mounting frame (1). Fasten using 5/8"-18 x 2" bolts (13), 5/8" lock washers (14), and 5/8"-18 nuts (15) (two bolts total).

5. PASSENGER'S SIDE PUSH ARM

Install the passenger's side push arm (3) in the same sequence and with the same amount and type of fasteners as the driver's side push arm (2).

6. TIGHTENING

Tighten the 12mm bolts holding the front hangers (4) & (5) to the bumper brackets and frame rails and the 1/2" fasteners holding the mounting frame (1) to the front hangers (4) & (5). Tighten the 12mm bolts holding the push arms (2) & (3) to the frame rails and engine mounting cross member and the 5/8" fasteners holding the mounting frame (1) to the push arms (3) & (4). Tighten 12mm fasteners to 87 ft./lbs., 1/2"-20 fasteners to 120 ft./lbs. and 5/8"-18 fasteners to 323 ft./lbs.

7. FINAL ADJUSTMENT AND INSPECTION

- (7a.) Reinstall the vehicle front bumper using the original equipment fasteners.
- (7b.) Inspect the mounting attachment bolts to be certain that they are all in place and that they are all tight.
- (7c.) Remove the jack stands from under frame rails and lower vehicle to the ground.

8. OPTIONAL PLUG MOUNT BRACKET INSTALL



NOTE

Install the Plug Mount Bracket if the harness will be mounted on the frame kit, otherwise, the harness may be routed through the grill, bumper, etc.

Using (2) 10-32 x 3/4" hex bolts and nylon locknuts, fasten the Plug Mount Bracket to the Plug Mount Bracket Mounting Tab located on the drivers side of the frame kit receiver. The included 8-32 hardware is used for mounting the hi-amp battery leads to the Plug Mount Bracket, if used.

