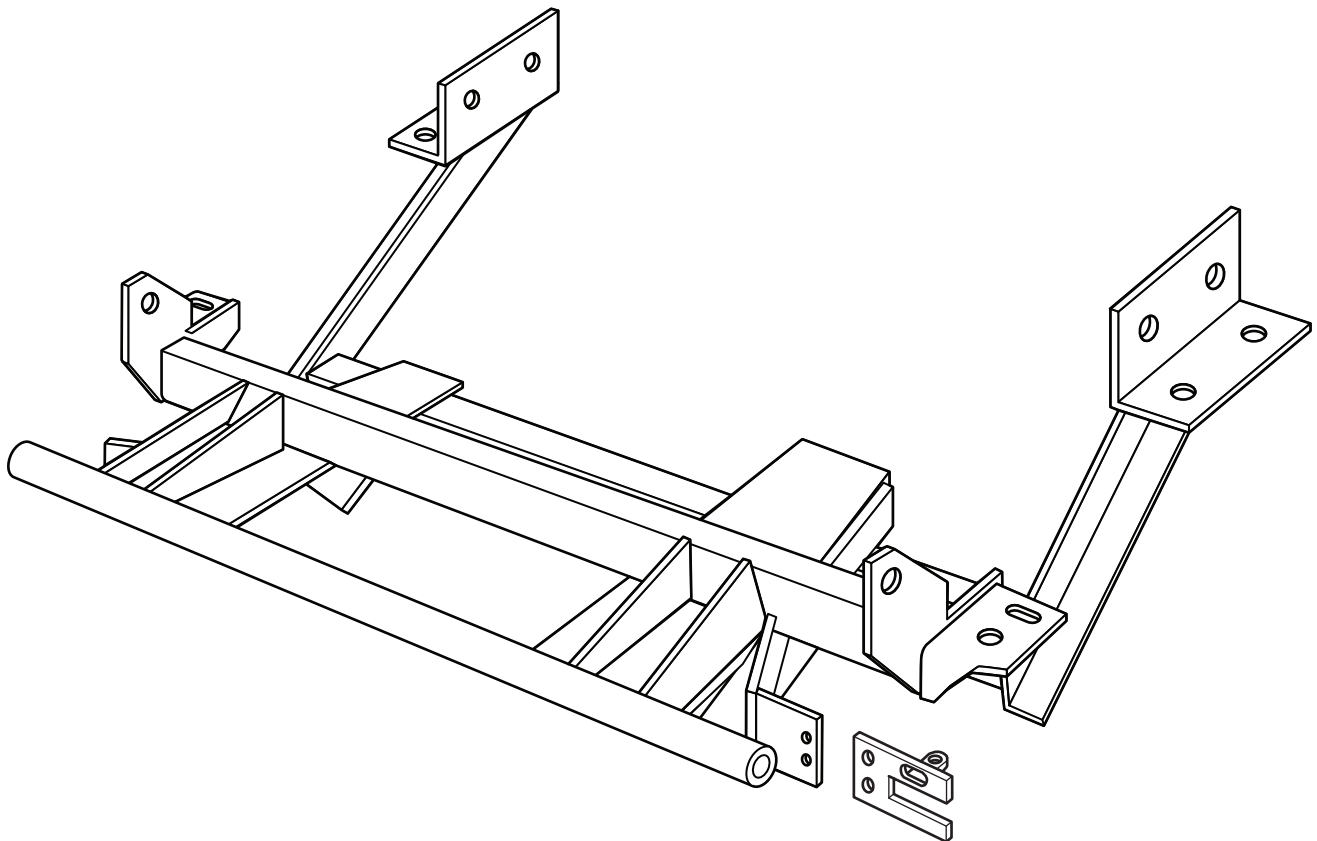




SNO-PRO[®] 3000

**1997 Ford F-250 LD, F-150
(With Snow Plow Prep. Package ONLY)**

Vehicle Mounting Kit: 1FK4B



Curtis Industries Inc. LLC, 111 Higgins St., Worcester, MA 01606 TEL: (800) 343-7676 FAX: (508) 854-3377 For Parts and information visit us at www.Curtisindustries.net
Curtis Industries Inc. LLC, reserves the right to change product design or specifications without notice or liability.
Curtis Snow Plows are protected by the following U.S. Patent Numbers: 6,145,222 and 6,209,231 Licensed under U.S. Patent Number 5,568,694 & Canadian Patent Number 2,137,853.
Other patents pending.

1FK4B Vehicle Mount Kit Parts List

Item #	Description	Qty.
1	Mounting Frame	1
2	1/2"-13 x 1-1/2" Strap/ Washer/Bolt (16" Long)	4
2a	1/2"-13 x 1-1/2" Strap/Bolt (16" Long)	4
Hardware Bag Components Included In This Kit		
3	1/2"-13 x 1-1/2" Bolt, Gr. 5, Cad., Plated	2
4	1/2" Flat Washer, Cad., Plated	2
5	1/2" Lock Washer, Cad., Plated	10
6	1/2" -13 Hex Nut, Cad., Plated	10
7	5/8"-11 x 1-1/2" Bolt, Gr. 5, Cad., Plated	4
8	5/8" Flat Washer, Cad., Plated	4
9	5/8" Lock Washer, Cad., Plated	4
10	5/8"-11 Hex Nut, Cad., Plated	4
Hardware Components Included In Plow Light Harness Kit		
1a	Dual Harness Plug Bracket	1
-	10-32 x 3/4" Hex Head Screw, Plated	2
-	10-32 Nylock Lock Nut, Plated	2
-	8-32 x 1" Hex Head Screw, Plated	1
-	8-32 Nylock Lock Nut, Plated	1
-	#8 Nylon Flat Washer, 3/4" O.D.	1
-	#8 Flat Washer, SAE, Plated	1

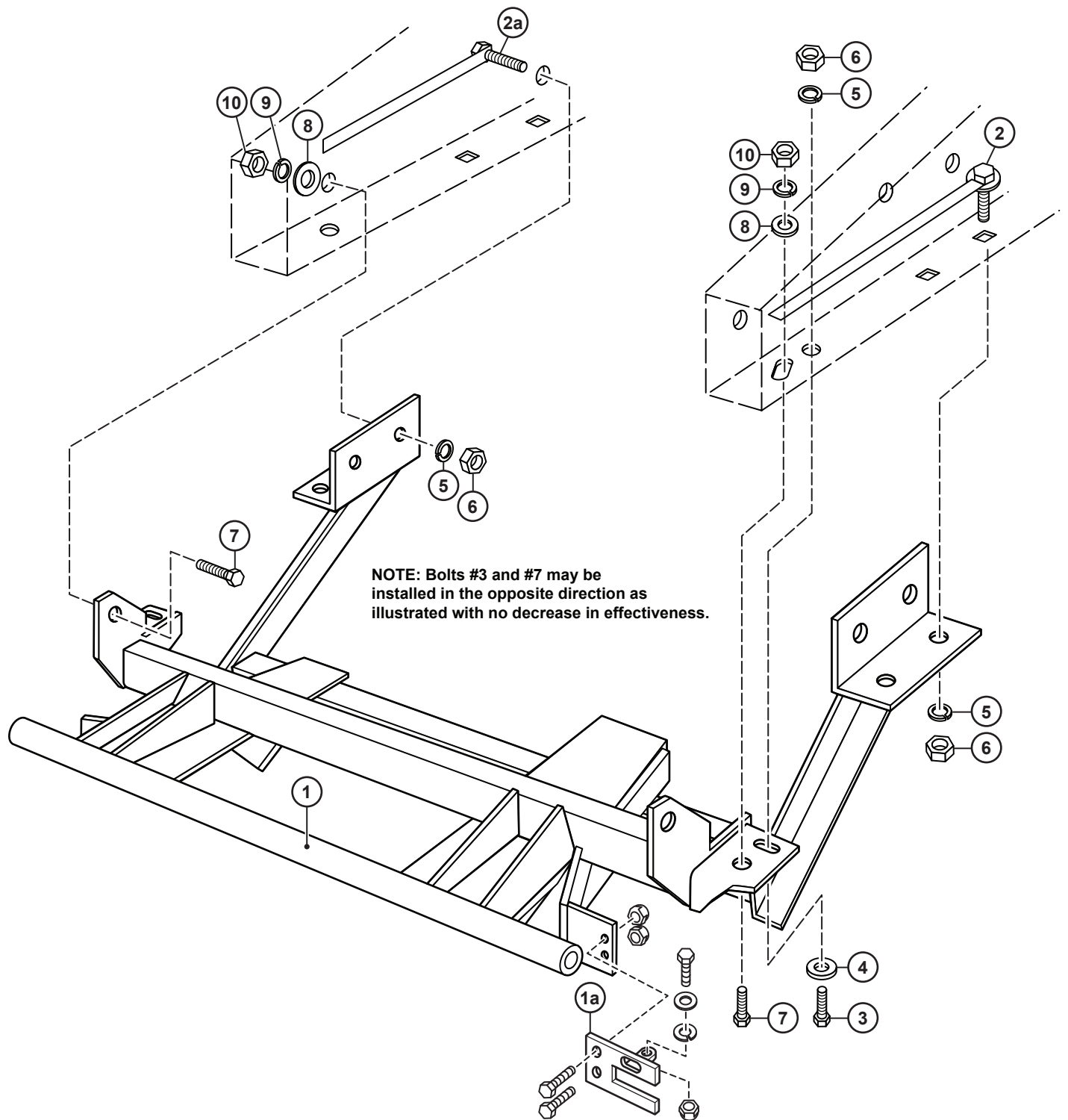


WARNING

It is highly recommended that front "helper springs", "airshocks", or other similar devices be installed onto this vehicle to prevent the front suspension from "bottoming out" while carrying a snow plow.

Vehicle must be properly "ballasted" by placing ballast weight behind the centerline of Rear Axle so that no more than 62% of the total weight of the Vehicle, Snow Plow, Driver, Ballast weight, (and any cargo) is placed on the Front Axle while at the same time not exceeding the Gross Vehicle Weight Rating and Front or Rear Gross Axle Weight Ratings.

1FK4B Mounting



Curtis Industries, LLC. reserves the right to change product design or specifications without notice or liability. Curtis Snow Plows and Truck equipment should only be used on vehicles equipped with the manufacturer's Snow Plow preparation package. Snow Plowing without the original snow plow preparation package may damage your vehicle and the added weight of the equipment may impair the operation and control of the vehicle.

1FK4B: 1997 Ford F-250 LD, F-150

Mounting Kit Installation Instructions

1. VEHICLE PREPARATION

- (1a.) Temporarily remove the vehicle front bumper. Save the original equipment bumper nuts. Remove and store the tow hooks (if the vehicle is so equipped) and fasteners. The tow hooks will not be re-installed with the mounting frame (1) attached.
- (1b.) If the front bumper has an air dam attached to it, either remove it completely, or trim out and discard a 38" long section from the center of it.



NOTE

All fasteners should remain loose or "finger tight" until all components have been attached to Vehicle or installation instructions specify tightening.

2. MOUNTING FRAME

- (2a.) Lift the Mounting frame (1) up under the front of the vehicle with the vertical end plates of the front cross tube between the vertical inner surfaces of the frame rails and with horizontal end brackets against the lower horizontal surfaces. The vertical surfaces of the rear push angle brackets should also be between the frame rails with the horizontal surfaces of the brackets against the lower surface of the rails.
- (2b.) Line up the slotted holes in the front cross tube horizontal end brackets with the forward holes in the lower surface of the frame rails that tow hooks were fastened to. Attach using 1/2"-13 x 1-1/2" bolts (2), 1/2" flat washers (4), 1/2" lock washers (5), and 1/2"-13 hex nuts (6).
- (2c.) Line up the holes in the horizontal surface of each rear push angle bracket with the two square holes in the lower surface of each frame rail. Fasten using 1/2"-13 x 1-1/2" strap/washer/bolts (2) (inserted from the open front end of the frame rails), 1/2" lock washers (5), and 1/2"-13 hex nuts (6).

3. DRILLING AND TIGHTENING

- (3a.) Tighten all the 1/2" fasteners, installed up to this point, holding the mounting frame (1) to the frame rails.
- (3b.) Using the remaining open holes (four) in the horizontal and vertical brackets and end plates of the front cross tube on the mounting frame (1) as guides, drill 5/8" dia. holes in the inner and lower surfaces of the frame rails. Fasten at the drilled holes using 5/8"-11 x 1-1/2" bolts (7), 5/8" flat washers (8), 5/8" lock washers (9), and 5/8"-11 hex nuts (10).
- (3c.) Using the remaining open holes (four) in the rear push angle brackets as guides, drill 1/2" dia. holes in the inner vertical surfaces of the frame rails. Fasten at the drilled holes using 1/2"-13 x 1-1/2" strap/bolts (2a) (inserted from the open front end of the frame rails), 1/2" lock washers (5), and 1/2"-13 hex nuts (6).
- (3d.) Tighten all the 1/2" and 5/8" fasteners installed in the drilled holes. Bend over the ends of the straps that protrude from the open ends of the frame rails.

4. FINAL ASSEMBLY AND INSPECTION

- (4a.) Reinstall, align, and tighten the vehicle front bumper using the original equipment nuts removed previously.
- (4b.) Inspect the mounting attachment bolts to be certain that they are all in place and that they are all tight.

5. OPTIONAL PLUG MOUNT BRACKET INSTALL



NOTE

Install the Plug Mount Bracket if the harness will be mounted on the frame kit, otherwise, the harness may be routed through the grill, bumper, etc.

Using (2) 10-32 x 3/4" hex bolts and nylon locknuts, fasten the Plug Mount Bracket to the Plug Mount Bracket Mounting Tab located on the driver's side of the frame kit receiver. The included 8-32 hardware is used for mounting the hi-amp battery leads to the Plug Mount Bracket if used.

