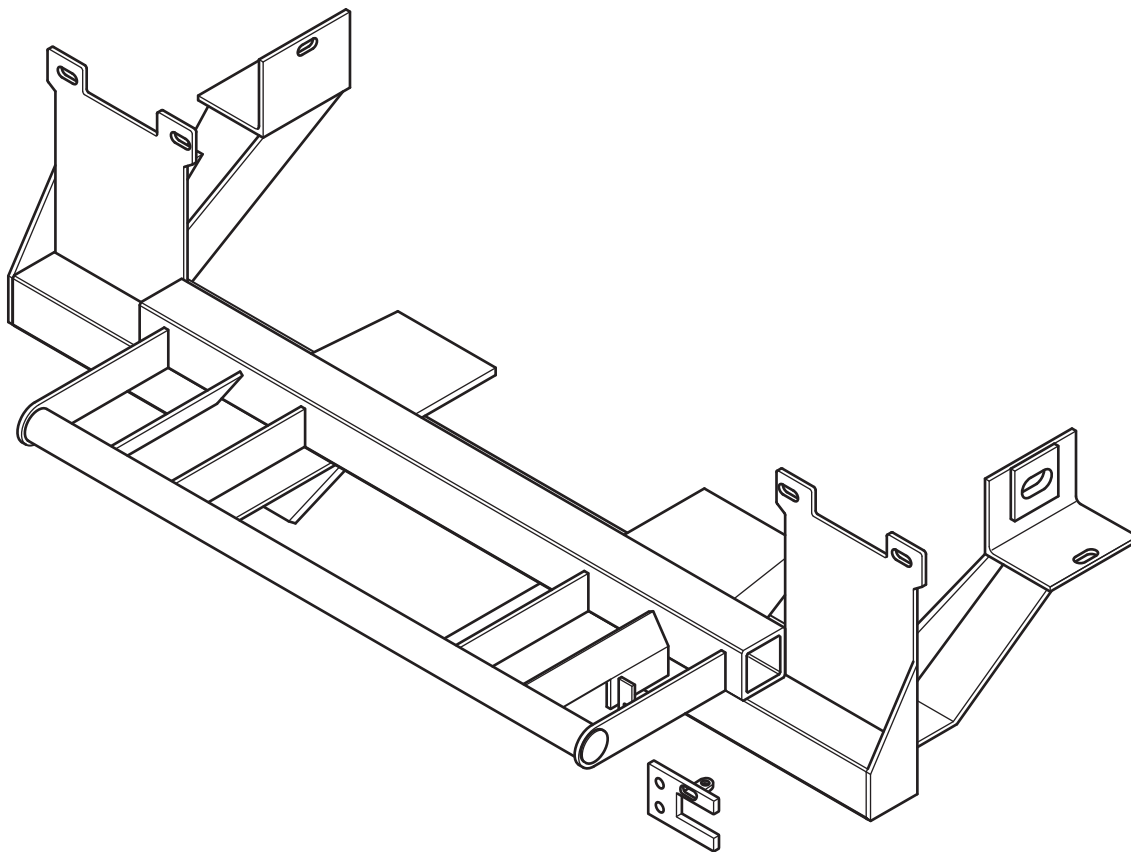




# **SNO-PRO<sup>®</sup> 3000**

**2009 - Dodge 1500 4WD  
(With Snow Prep. Package ONLY)**

**Vehicle Mounting Kit: 1FK46**

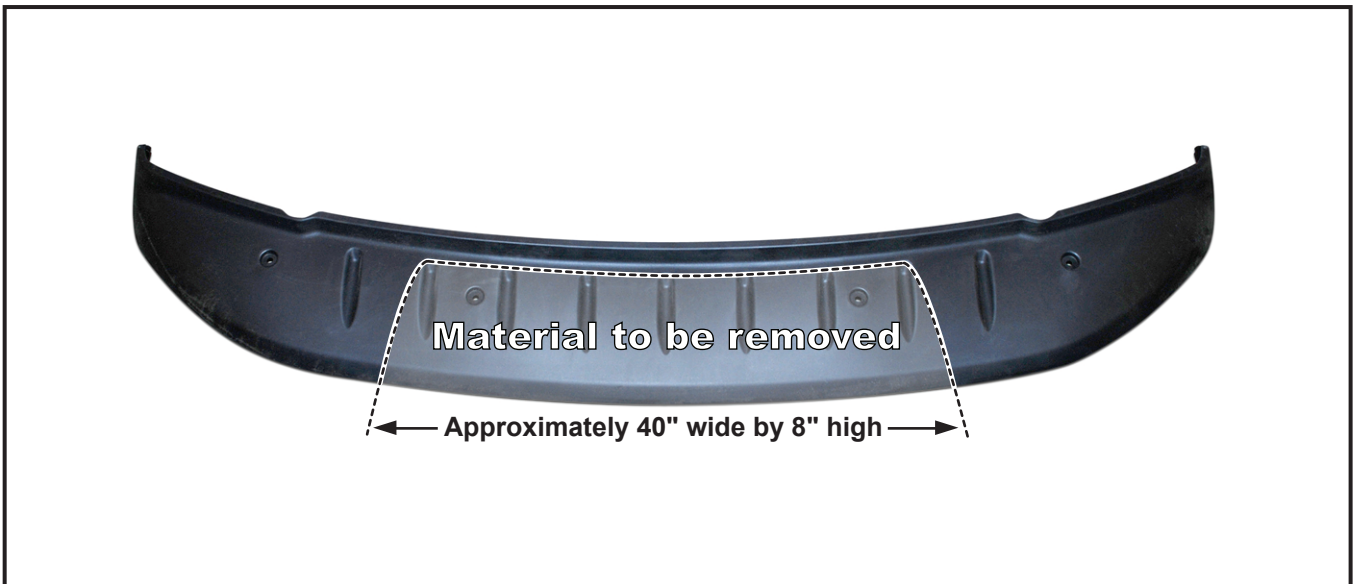


Curtis Industries Inc. LLC, 111 Higgins St., Worcester, MA 01606 TEL: (800) 343-7676 FAX: (508) 854-3377 For Parts and information visit us at [www.Curtisindustries.net](http://www.Curtisindustries.net)  
Curtis Industries Inc. LLC, reserves the right to change product design or specifications without notice or liability.  
Curtis Snow Plows are protected by the following U.S. Patent Numbers: 6,145,222 and 6,209,231 Licensed under U.S. Patent Number 5,568,694 & Canadian Patent Number 2,137,853.  
Other patents pending.

## 1FK46 Vehicle Mount Kit Parts List

Item #	Description	Qty.
1	Mounting Frame	1
<b>Hardware Bag Components Included In This Kit</b>		
2	1/2"-13 Strap Nut	2
3	M12 x 1.5 x 45mm long Hex Head Bolt, Plated	2
4	M12 Lock Washer	2
5	M12 Flat Washer	2
6	1/2"-13 x 1-1/2" Hex Head Bolt, Plated	2
7	1/2" Lock Washer	2
8	1/2" Flat Washer	2
<b>Hardware Components Included In Plow Light Harness Kit</b>		
1a	Dual Plug Harness Bracket	1
-	10-32 x 3/4" Hex Head Screw, Plated	2
-	10-32 Nylock Lock Nut, Plated	2
-	8-32 x 1" Hex Head Screw, Plated	1
-	8-32 Nylock Lock Nut, Plated	1
-	#8 Nylon Flat Washer, 3/4" O.D.	1
-	#8 Flat Washer, SAE, Plated	1

**Figure 1. Lower Bumper / Splash Shield Modification**

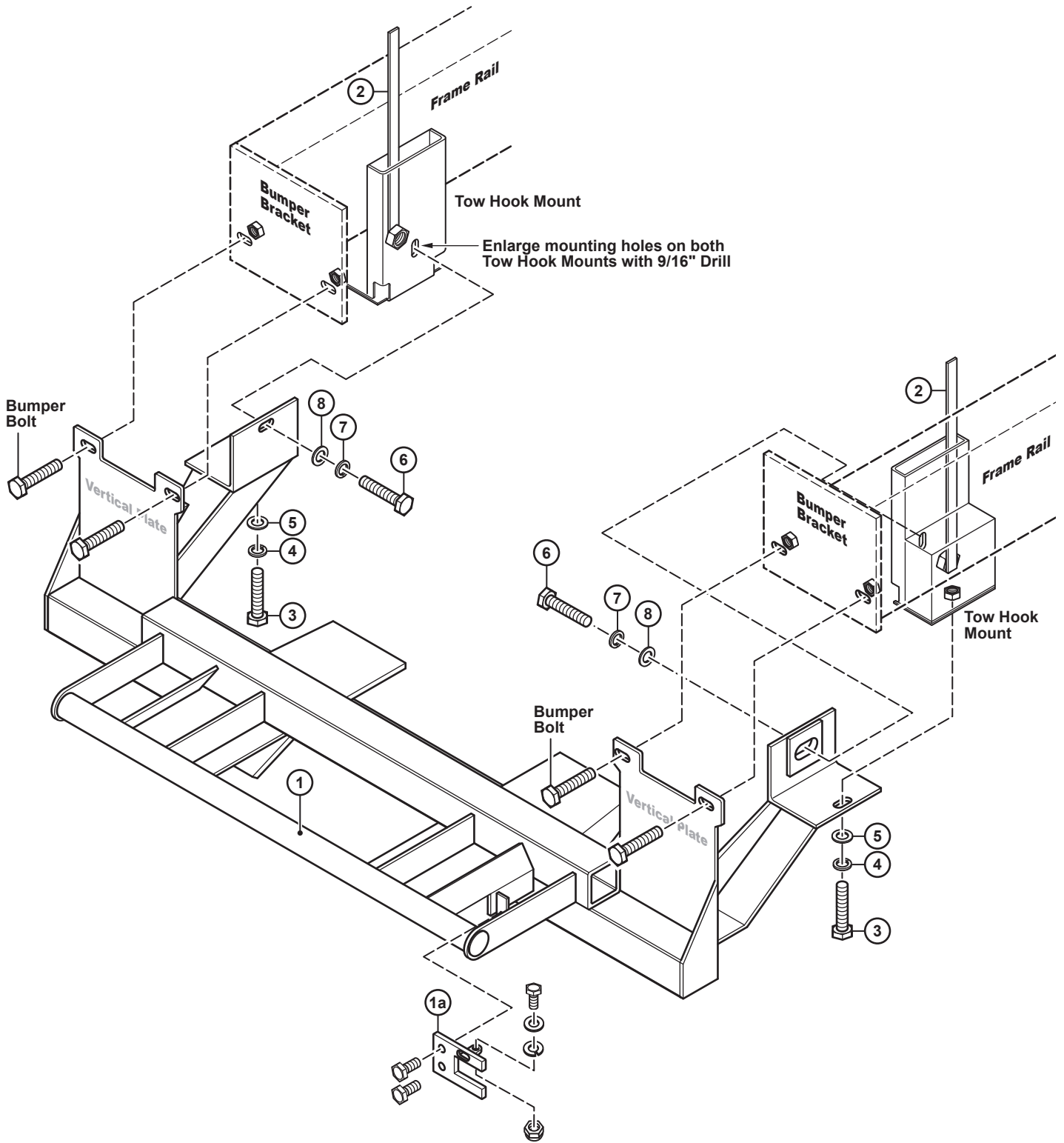


**WARNING**

It is highly recommended that front “helper springs”, “airshocks”, or other similar devices be installed onto this vehicle to prevent the front suspension from “bottoming out” while carrying a snow plow.

Vehicle must be properly “ballasted” by placing ballast weight behind the centerline of Rear Axle so that no more than 62% of the total weight of the Vehicle, Snow Plow, Driver, Ballast weight, (and any cargo) is placed on the Front Axle while at the same time not exceeding the Gross Vehicle Weight Rating and Front or Rear Gross Axle Weight Ratings.

# 1FK46 Mounting



**Curtis Industries, LLC. reserves the right to change product design or specifications without notice or liability. Curtis Snow Plows and Truck equipment should only be used on vehicles equipped with the manufacturer's Snow Plow preparation package. Snow Plowing without the original snow plow preparation package may damage your vehicle and the added weight of the equipment may impair the operation and control of the vehicle.**

# 1FK46: 2006 - Dodge 1500 4WD

## Mounting Kit Installation Instructions

### 1. VEHICLE PREPARATION

- (1a.) Remove and store vehicle (front) Tow Hooks. Retain all Tow Hook bolts. Tow Hooks will not be reinstalled with Mounting Frame (1) mounted in position. Remove bottom two Bumper Bolt Nuts before lifting mount into position for mounting.
- (1b.) Trim out portion of Lower plastic section of the Front bumper 40" long and 8" high (refer to Figure 1).

### 2. MOUNTING FRAME

- (2a.) Lift Mounting Frame (1) up under front of Vehicle with Vertical Side plates behind Bumper Brackets on the vehicle. The two Angle Iron Brackets will align with the two Tow Hook mounts and the Vertical Plates will fit over the two Bottom Bumper bolts.



**NOTE**

All fasteners should remain loose or "finger tight" until all components have been attached to Vehicle or installation instructions specify tightening.

- (2b.) Reinstall 2 Bottom Bumper nuts to hold Mount in position. Secure Mount by installing two 12mm bolts (3), Lock washers (4), and Flat washers (5) into the bottoms of the Tow Hook Mounts. A 12 mm Nut is welded inside the Tow Hook Mount to accept this bolt.
- (2c.) Using holes in Angle Iron Brackets as guides, position Mounting Frame and enlarge two existing mounting holes (1 per side) with a 9/16" Drill.
- (2d.) Insert a 1/2"-13 Bolt (6), with 1/2" Lock Washer (7) and a 1/2" Flat Washer (8) through the hole and secure with a 1/2"-13 Strap Nut (2) passed down into the Tow Hook mount from top or bottom of Mount (See Figure 2). Fasten loosely until all Hardware is installed. Repeat on opposite side of Mounting Frame.

### 3. TIGHTENING

With Mounting Frame in final mounting position, fully tighten all Fasteners holding Mounting Frame to Frame Rails. Cut off excess metal from Strap Bolts.

### 4. FINAL ADJUSTMENT AND INSPECTION

- (4a.) Retain removed Tow Hooks with Vehicle for reinstallation if Mounting Frame is removed from vehicle.
- (4b.) Inspect all Mounting Frame Attachment Bolts to be certain that all six Bolts are in position and fully tightened.

### 5. OPTIONAL PLUG MOUNT BRACKET INSTALL



**NOTE**

Install the Plug Mount Bracket if the harness will be mounted on the frame kit, otherwise, the harness may be routed through the grill, bumper, etc.

Using (2) 10-32 x 3/4" hex bolts and nylon locknuts, fasten the Plug Mount Bracket to the Plug Mount Bracket Mounting Tab located on the drivers side of the frame kit receiver. The included 8-32 hardware is used for mounting the hi-amp battery leads to the Plug Mount Bracket, if used.

