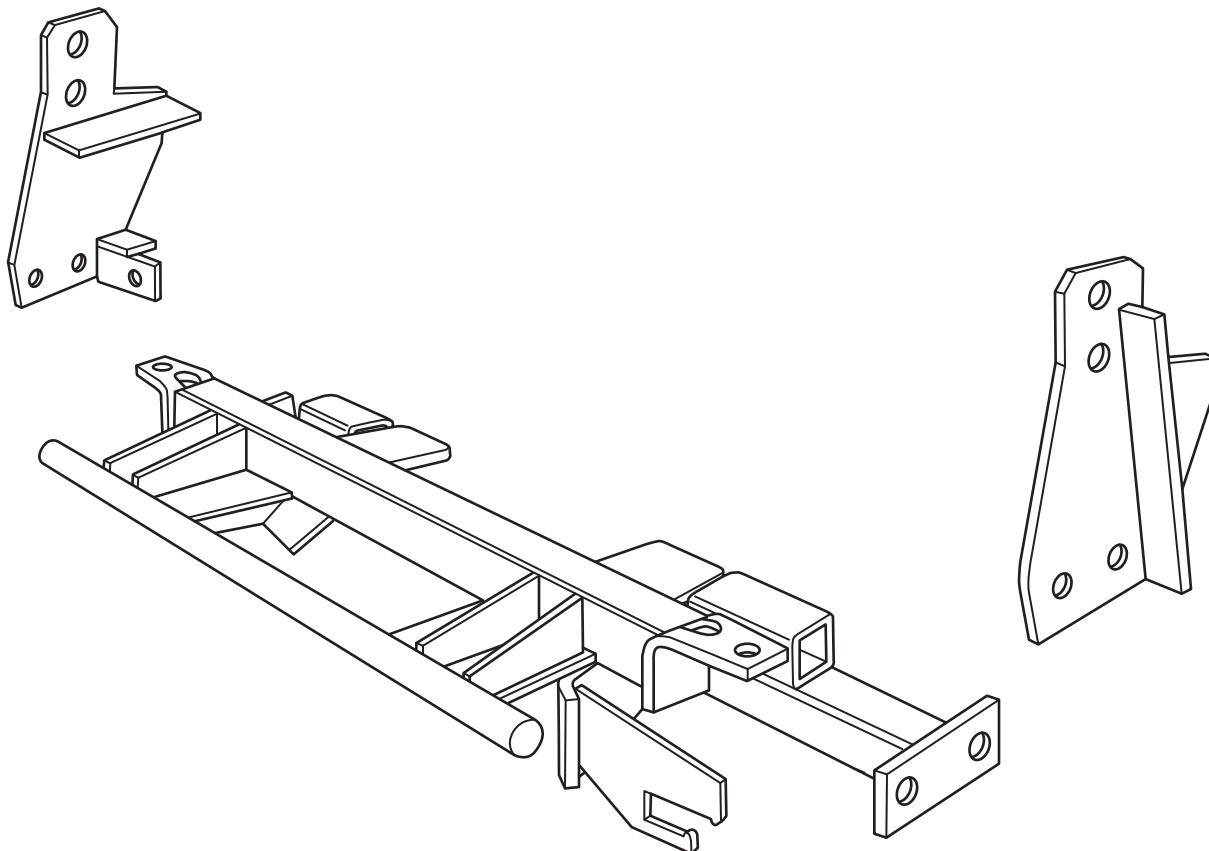




# **SNO-PRO<sup>®</sup> 3000**

**1994 – G.M. HD-3500  
2WD (With Front Leaf Springs ONLY)**

**Vehicle Mounting Kit: 1FK18B**



Curtis Industries Inc. LLC, 111 Higgins St., Worcester, MA 01606 TEL: (800) 343-7676 FAX: (508) 854-3377 For Parts and information visit us at [www.Curtisindustries.net](http://www.Curtisindustries.net)  
Curtis Industries Inc. LLC, reserves the right to change product design or specifications without notice or liability.  
Curtis Snow Plows are protected by the following U.S. Patent Numbers: 6,145,222 and 6,209,231 Licensed under U.S. Patent Number 5,568,694 & Canadian Patent Number 2,137,853.  
Other patents pending.

## 1FK18B Vehicle Mount Kit Parts List

Item #	Description	Qty.
1	Front Mount Frame	1
2	Driver's Side Push Arm	1
3	Passenger's Side Push Arm	1
4	Front Bolting Angle	1
5	5/8"-11 x 1-1/2" Gr. 5 Strap Bolt (16" long)	4
<b>Hardware Bag Components Included In This Kit</b>		
6	1/2"-13 x 1-1/2" Bolt, Gr. 5, Plated	4
7	1/2" Lockwasher, Plated	4
8	1/2"-13 Hex Nut, Plated	4
9	5/8"-11 x 8" Bolt Gr.5, Plated	2
10	5/8" Lockwasher, Plated	8
11	5/8"-11 Hex Nut, Plated	6
12	5/8"-11 x 2-1/2" Carriage Bolt, Gr. 5, Plated	2
13	5/8"-11 Hex Jam Nut, Plated	4

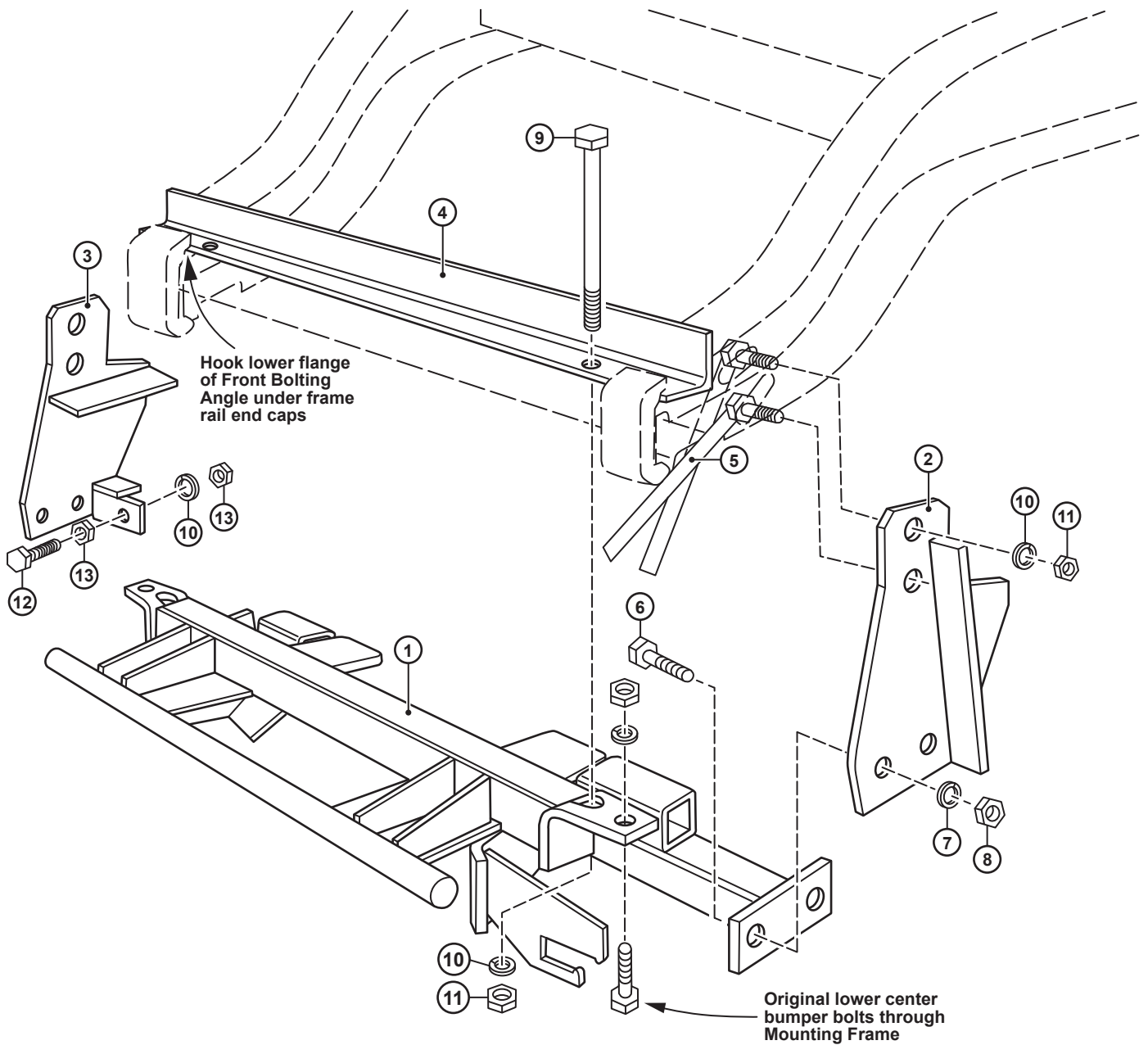


### WARNING

It is highly recommended that front "helper springs", "airshocks", or other similar devices be installed onto this vehicle to prevent the front suspension from "bottoming out" while carrying a snow plow.

Vehicle must be properly "ballasted" by placing ballast weight behind the centerline of Rear Axle so that no more than 62% of the total weight of the Vehicle, Snow Plow, Driver, Ballast weight, (and any cargo) is placed on the Front Axle while at the same time not exceeding the Gross Vehicle Weight Rating and Front or Rear Gross Axle Weight Ratings.

## 1FK18B Mounting



*Curtis Industries, LLC. reserves the right to change product design or specifications without notice or liability. Curtis Snow Plows and Truck equipment should only be used on vehicles equipped with the manufacturer's Snow Plow preparation package. Snow Plowing without the original snow plow preparation package may damage your vehicle and the added weight of the equipment may impair the operation and control of the vehicle.*

# 1FK18B: 1994 – G.M. HD-3500

## Mounting Kit Installation Instructions

### 1. VEHICLE PREPARATION

- (1a.) Temporarily remove the vehicle parking/directional signal lights, grill and plastic fascia piece between the grill and bumper. Also remove the two lower center bumper bolts. Save all signal light, grill, fascia and bumper fasteners for reuse.
- (1b.) Check the front leaf spring alignment clamps to be sure that the heads of the bolts are toward the outside of the leaf springs. If they are not, remove the nuts and turn the bolts around so that the heads are to the outside and the nuts are to the inside. Tighten these fasteners if they have been repositioned.
- (1c.) Screw a 5/8"-11 Hex Jam Nut (13) all the way onto each of the 5/8"-11 x 2-1/2" Carriage Bolts (12). Place each Carriage Bolt / Jam Nut assembly through the ears on the Driver's Side and Passenger's Side Push Arms (2) & (3) with the heads of the Carriage Bolts toward the front of the vehicle. Fasten loosely using a 5/8" Lock Washer (10) and 5/8"-11 Hex Jam Nut (13) on each Carriage Bolt / Jam Nut assembly.



#### NOTE

All fasteners should remain loose or "finger tight" until all components have been attached to Vehicle or installation instructions specify tightening.

### 2. MOUNTING FRAME

- (2a.) Lift the Mounting Frame (1) up under the front of the vehicle with the holes in the front cross tube end brackets lined up with the holes that the lower center bumper bolts were removed from. Attach loosely using the bumper fasteners removed previously.
- (2b.) Place the Front Bolting Angle (4) on top of the front ends of the frame rails with the lower flange forward and hooked under the frame rail end caps. Install two 5/8"-11 x 8" Bolts (9) down through the holes in the Front Bolting Angle (4), and the holes in the front cross tube end brackets of the Mounting Frame (1). Fasten using two 5/8" lock washers (10) and 5/8"-11 Hex Nuts (11).

### 3. DRIVER'S SIDE PUSH ARM

- (3a.) Place two 5/8"-11 x 1-1/2" Strap Bolts (5) up through the cutout for the Driver's side front spring shackle and out through the two slotted holes in the outside flange of the frame rail (the straps of the Strap Bolts (5) can be easily bent and adjusted to fit). Line up the holes in the upper section of the Driver's Side Push Arm (2) with the two Strap Bolts (5) installed in the outer surface of the Driver's side frame rail. Fasten using two 5/8" Lock Washers (10) and 5/8"-11 Hex Nuts 11.
- (3b.) Line up the two lower holes in the Driver's Side Push Arm (2) with the holes in the end plate of the rear cross tube of the Mounting Frame (1). Fasten using two 1/2"-13 x 1-1/2" Bolts (6), 1/2" Lock Washers (7), and 1/2"-13 Hex Nuts (8).

### 4. PASSENGER'S SIDE PUSH ARM

Install the Passenger's Side Push Arm (3) in the same sequence and with the same amount and type of fasteners as the Driver's Side Push Arm (2).

### 5. TIGHTENING

- (5a.) Align the Mounting Frame (1) with the front bumper and front body work then tighten the original equipment bumper bracket bolts and nuts. Tighten the 1/2" fasteners holding the rear cross tube end plates (on the Mounting Frame (1), to the Driver's Side and Passenger's Side Push Arms (2) & (3).
- (5b.) Hold the Driver's Side and Passenger's Side Push Arms (2) & (3) up tight against the bottom flange of the frame rails and tighten the 5/8" fasteners in the upper frame section of the Push Arms.
- (5c.) Tighten the two vertical 5/8"-11 x 8" Bolts (9), and nuts holding the Mounting Frame (1) to the Front Bolting Angle (4). Adjust the 5/8"-11 x 2-1/2" Carriage Bolts (12) with the front 5/8" Jam Nuts (13) so that the heads of the Carriage Bolts are tight against the back of the rear cross tube of the Mounting Frame (1). Lock the 5/8"-11 x 2-1/2" Carriage Bolts (12) in place using the rear 5/8"-11 Jam Nuts (13).
- (5d.) Trim the excess material protruding from the frame rails from the 5/8"-11 x 1-1/2" Strap Bolts (5).

### 6. FINAL ADJUSTMENT AND INSPECTION

- (6a.) Install the Vehicle Wiring Harness at this time and make the parking and directional signal wire connections.
- (6b.) Reinstall the plastic fascia piece, grill, and parking / directional signal lights at this time using the original equipment fasteners.
- (6c.) Inspect the vehicle and mounting attachment bolts to be certain that they are all in place and that they are all tight.

