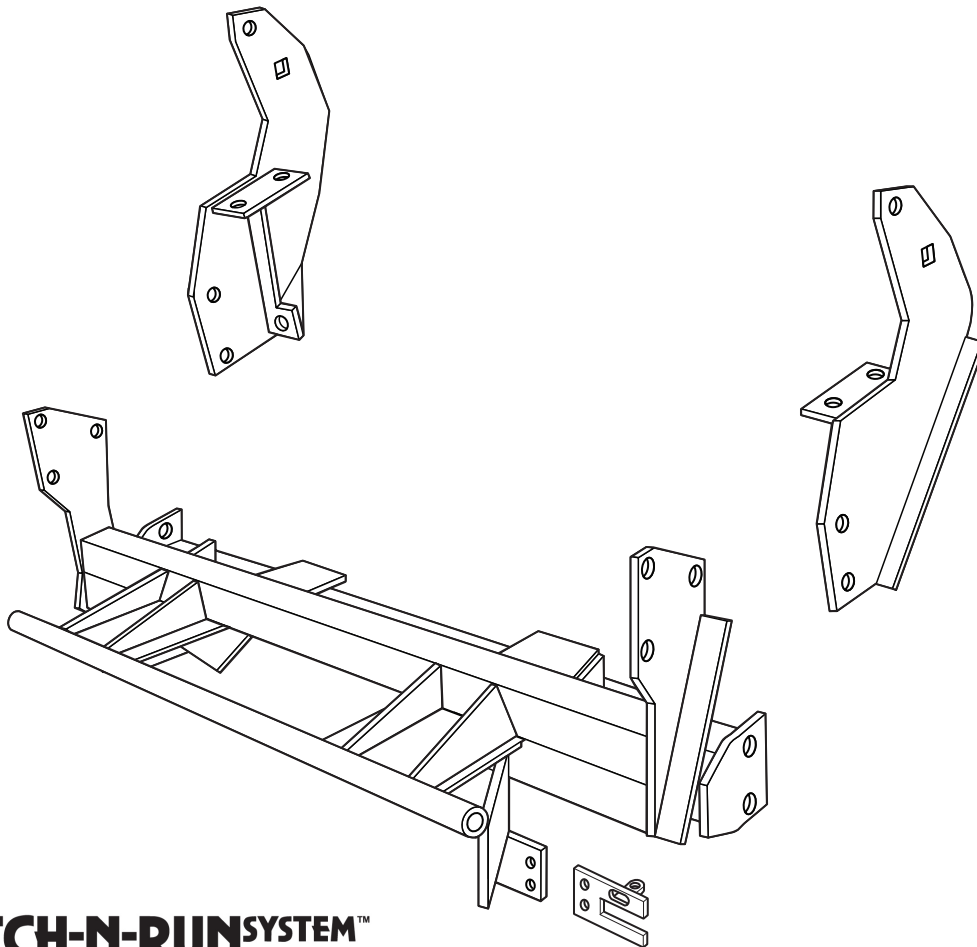




# HOME-PRO<sup>®</sup> 3000

**1984 – Jeep Cherokee XJ  
(With Max. GVWR & Max. FGAWR ONLY)**

**Vehicle Mounting Kit: 1FK16**



Curtis Industries Inc. LLC, 111 Higgins St., Worcester, MA 01606 TEL: (800) 343-7676 FAX: (508) 854-3377 For Parts and information visit us at [www.Curtisindustries.net](http://www.Curtisindustries.net)  
Curtis Industries Inc. LLC, reserves the right to change product design or specifications without notice or liability.  
Curtis Snow Plows are protected by the following U.S. Patent Numbers: 6,145,222 and 6,209,231 Licensed under U.S. Patent Number 5,568,694 & Canadian Patent Number 2,137,853.  
Other patents pending.

## 1FK16 Vehicle Mount Kit Parts List

Item #	Description	Qty.
1	Front Mount Frame	1
2	Driver's Side Push Arm	1
3	Passenger's Side Push Arm	1
10	1/2"-13 x 1-1/2" Strap Bolt	2
<b>Hardware Bag Components Included In This Kit</b>		
4	3/8" Pipe x 1-7/8" Long Pipe Spacer	4
5	10mm x 1.50 x 40mm Bolt , Gr.10.9, Plated	6
6	10mm x 1.50 x 75mm Bolt, Gr. 10.9, Plated	4
7	10mm Flat Washer, Plated	10
8	10mm Lock Washer, Plated	10
9	1/2"-13 x 1-1/2" Bolt, Gr.5, Plated	4
11	1/2" Lock Washer, Plated	2
12	1/2"-13 Hex Nut, Plated	6
13	5/8"-11 x 3-1/2" Carriage Bolt Gr.5, Plated	6
14	5/8"-11 x 2-1/2" Carriage Bolt Gr.5, Plated	2
15	5/8" Flat Washer, Plated	2
16	5/8" Lock Washer, Plated	4
17	5/8"-11 Hex Jamb Nut, Plated	6
<b>Hardware Components Included In Plow Light Harness Kit</b>		
1a	Dual Plug Harness Bracket	1
-	10-32 x 3/4" Hex Head Screw, Plated	2
-	10-32 Nylock Lock Nut, Plated	2
-	8-32 x 1" Hex Head Screw, Plated	1
-	8-32 Nylock Lock Nut, Plated	1
-	#8 Nylon Flat Washer, 3/4" O.D.	1
-	#8 Flat Washer, SAE, Plated	1

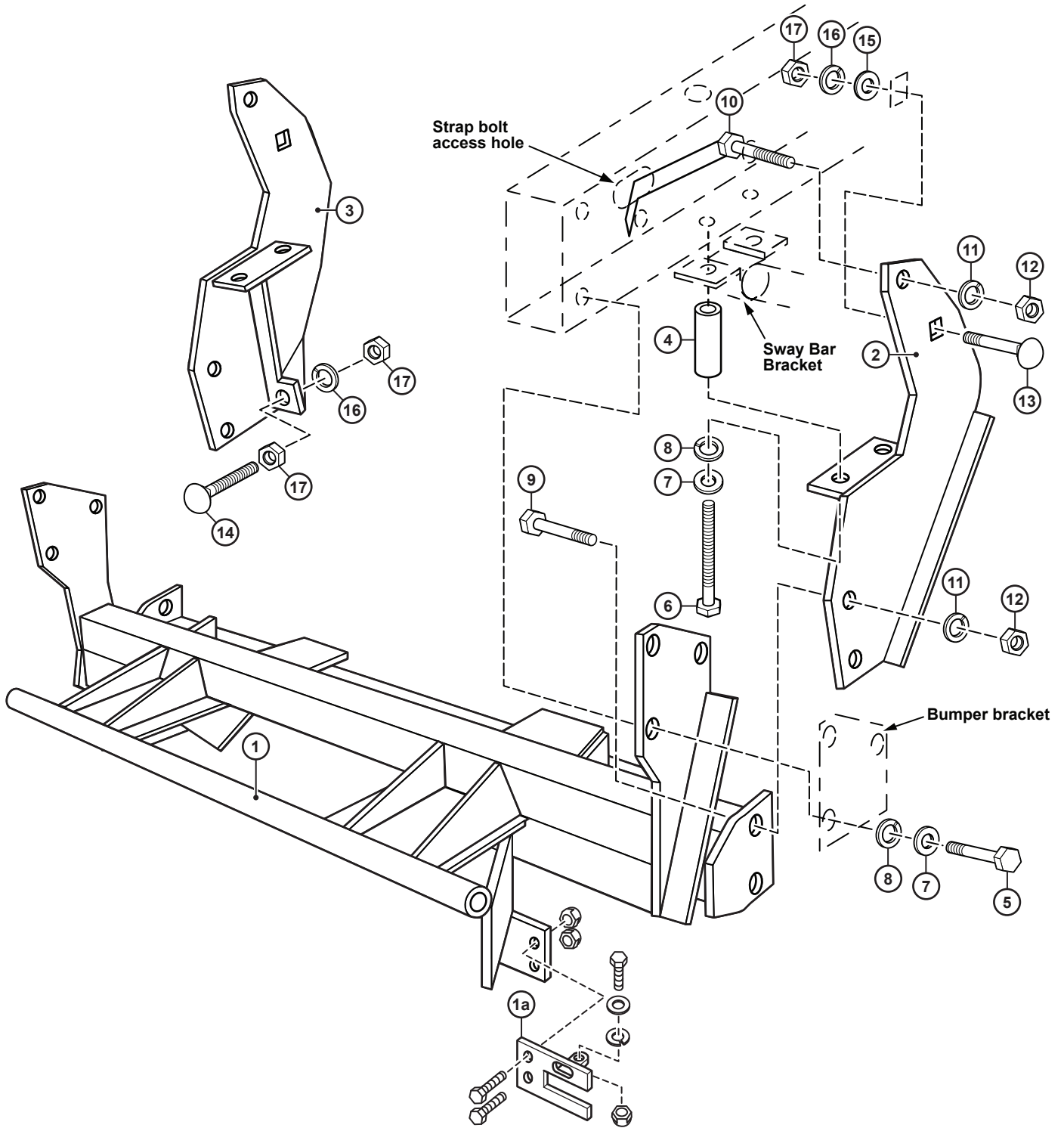


### WARNING

It is highly recommended that front "helper springs", "airshocks", or other similar devices be installed onto this vehicle to prevent the front suspension from "bottoming out" while carrying a snow plow.

Vehicle must be properly "ballasted" by placing ballast weight behind the centerline of Rear Axle so that no more than 62% of the total weight of the Vehicle, Snow Plow, Driver, Ballast weight, (and any cargo) is placed on the Front Axle while at the same time not exceeding the Gross Vehicle Weight Rating and Front or Rear Gross Axle Weight Ratings.

# 1FK16 Mounting



**Curtis Industries, LLC. reserves the right to change product design or specifications without notice or liability. Curtis Snow Plows and Truck equipment should only be used on vehicles equipped with the manufacturer's Snow Plow preparation package. Snow Plowing without the original snow plow preparation package may damage your vehicle and the added weight of the equipment may impair the operation and control of the vehicle.**

# 1FK16: 1984 – Jeep Cherokee XJ

## Mounting Kit Installation Instructions

### 1. VEHICLE PREPARATION

- (1a.) **ALL VEHICLES:** Temporarily remove the vehicle front bumper. Discard the six 10mm bolts holding the bumper brackets to the vehicle chassis rails.
- (1b.) **2000- MODEL YEAR VEHICLES ONLY:** Save the four 6mm bolts holding the plastic bumper ends to the front fender for later reinstallation.
- (1c.) **ALL VEHICLES:** Cut a section approximately 36" long x 3" high from the center of the plastic air dam attached to the bottom of the bumper.
- (1c.) **2000- MODEL YEAR VEHICLES ONLY:** The 36" long section will also include about 2" of each plastic bumper end. Remove the plastic bumper ends from the bumper. Save the fasteners for reinstallation.
- (1d.) **ALL VEHICLES:** Loosen the four Torx head 10mm bolts holding the bumper brackets to the front bumper. Save the fasteners for later reinstallation. Screw a 5/8"-11 hex jam nut (17) all the way onto each of the 5/8"-11 x 2-1/2" carriage bolts (14). Place each carriage bolt / jam nut assembly through the ears on the driver's side and passenger's side push arms (2) & (3) with the heads of the carriage bolts toward the front of the vehicle. Fasten loosely using a 5/8" lock washer (16) and 5/8"-11 hex jamb nut (17) on each carriage bolt / jam nut assembly.



#### NOTE

All fasteners should remain loose or "finger tight" until all components have been attached to vehicle or installation instructions specify tightening.

### 2. MOUNTING FRAME

- (2a.) Lift the mounting frame (1) up onto the vehicle chassis so that the upper section of the front vertical brackets are outside the chassis rails with the holes in the vertical brackets lined up with the bumper bracket holes in the rails. Block up under the mounting frame (1) to temporarily hold it in position.
- (2b.) Place the vehicle front bumper back into position with the bumper brackets outside of the front vertical brackets of the mounting frame (1) and with the holes in the bumper brackets lined up with vertical bracket holes and the holes in the chassis rails. Fasten using three 10mm x 1.25 x 40mm bolts (5), 10mm lock washers (8), and 10mm flat washers (7) through the holes in each of the bumper brackets and vertical bracket of the mounting frame (1) threaded into the weld nut and two "U" nuts in each chassis rail. Remove the temporary blocking from under the mounting frame (1).

#### IMPORTANT

If mounting frame (1) and new skid / splash pan (2) are ever removed from the vehicle, the original equipment skid / splash pan must be reinstalled before the vehicle is put back into service.

### 3. DRIVER'S SIDE PUSH ARM

- (3a.) Remove and discard the two 10mm bolts holding the sway bar bracket to the Driver's side chassis rail. Place the top end (with square hole) of the Driver's side push arm (2) up through the space between the outside surface of the Driver's side chassis rail and the sway bar. Align the square hole with the large hole through the chassis rail. Fasten using a 5/8"-11 x 3-1/2" carriage bolt (13) through the push arm (2) and chassis rail with a 5/8" flat washer (15), 5/8" lock washer (16) and 5/8"-11 hex jamb nut (17) on the inside surface of the chassis rail.

- (3b.) Install a 1-7/8" long pipe spacer (4) at each bolt hole in the space between the top surface of the inner horizontal bracket of the push arm (2) and the sway bar bracket. Fasten using two 10mm x 1.25 x 75mm bolts (6), 10mm lock washers (8), and 10mm flat washers (7) threaded into the weld nuts inside the chassis rail. Align the two holes in the lower front section of the push arm (2) with the two holes in the end plate on the rear tube of the mounting frame (1). Fasten using two 1/2"-13 x 1-1/2" bolts (9), 1/2" lock washers (11), and 1/2"-13 hex nuts (12).

### 4. PASSENGER'S SIDE PUSH ARM

Install the Passenger's side push arm (3) in exactly the same sequence and with the same type and amount as the Driver's side push arm (2).

### 5. DRILLING & TIGHTENING

- (5a.) **ALL VEHICLES:** Level the vehicle front bumper then tighten the six bumper bracket bolts and all other bolts installed in the mounting frame (1) and push arms (2) & (3) up to this point. Tighten the four original equipment Torx head 10mm bolts holding the front bumper to the bumper brackets.
- (5b.) **2000- MODEL YEAR VEHICLES ONLY:** Reinstall the plastic bumper ends back onto the bumper using the original equipment fasteners.
- (5c.) **ALL VEHICLES:** Using the remaining open hole in the upper section of each push arm (2) & (3) as a guide, drill a 1/2" dia. hole through the outer surface of each chassis rail. Fasten at the drilled holes using a 1/2"-13 x 1-1/2" strap bolt (10) inserted into each chassis rail through the 1 1/4" dia. access hole between the upper section of each push arm (2) & (3) and each bumper bracket, with a 1/2" lock washer (11), and 1/2"-13 hex nut (12) on the outside of each push arm. Tighten the 1/2" fasteners installed at the drilled holes.
- (5d.) Adjust the 5/8"-11 x 2-1/2" carriage bolts (14) with the front 5/8"-11 jamb nuts (17) so that the heads of the carriage bolts are tight against the back of the rear cross tube of the mounting frame (1). Lock the 5/8"-11 x 2-1/2" carriage bolts (14) in place using the rear 5/8"-11 jamb nuts (17). Inspect the mounting frame, bumper bracket, and push arm attachment bolts to be certain that they are all in place and that they are all tight.

### 6. FINAL ADJUSTMENT AND INSPECTION

Inspect the mounting and skid / splash pan attachment bolts to be certain that they are all in place and that they are all tight.

### 7. OPTIONAL PLUG MOUNT BRACKET INSTALL



#### NOTE

Install the Plug Mount Bracket if the harness will be mounted on the frame kit, otherwise, the harness may be routed through the grill, bumper, etc.

Using (2) 10-32 x 3/4" hex bolts and nylon locknuts, fasten the Plug Mount Bracket to the Plug Mount Bracket Mounting Tab located on the driver's side of the frame kit receiver. The included 8-32 hardware is used for mounting the hi-amp battery leads to the Plug Mount Bracket if used.

